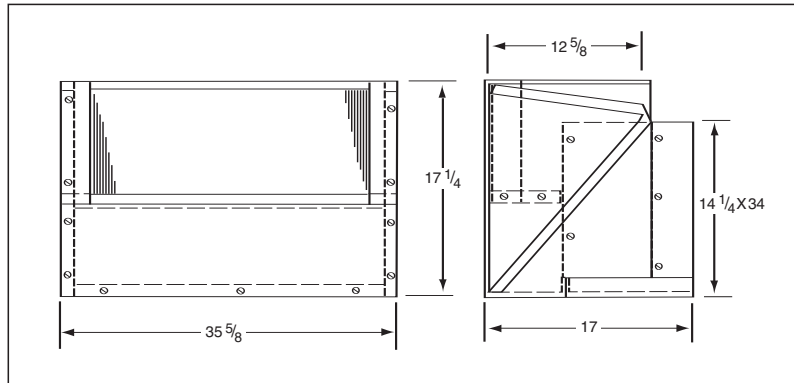
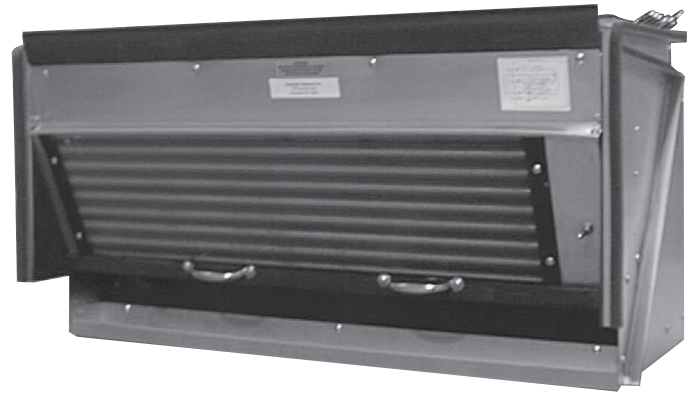




Component Style - Type CA410 Series

Replaces Original American Standard®
Series 41, McQuay® and Remotaire®
Cooling and Heatpump Chassis



Model Numbers	07				09				12				15			18		
Voltage	115	208	230	277	115	208	230	277	115	208	230	277	208	230	277	208	230	277
COOLING (HI-FAN SPEED)																		
Total Capacity (BTUH)	7300	7300	7300	7300	9000	9000	9000	9000	11800	11800	11800	11800	14939	14939	14939	17361	17361	17361
Full Load Amps	6.6	3.6	3.2	2.7	8.7	4.3	3.9	3.2	10.1	5.6	5.1	4.4	7.6	6.9	6.0	9.2	8.5	7.4
Watts Cooling	663	666	667	663	851	853	851	848	1135	1165	1170	1166	1580	1581	1590	1913	1955	1961
EER (BTUH/Watt)	11.0	10.9	10.9	11.0	10.5	10.9	10.5	10.6	10.3	10.1	10.1	10.1	9.5	9.5	9.5	9.1	9.1	9.1
HEATING																		
Capacity (BTUH)	7000	7000	7100	7100	8500	8500	8700	8700	11400	11400	11600	11600	14300	14500	14500	17200	17500	17500
Watts Heating	N/A	850	850	850	N/A	960	960	960	N/A	1350	1350	1350	1500	1500	1500	1700	1700	1700
COP (Coefficient of Performance)	N/A	2.9	3.0	3.0	N/A	2.8	2.9	2.9	N/A	2.8	2.9	2.9	2.9	3.0	3.0	2.8	2.9	2.9
HYDRONIC HEATING																		
Hot Water (BTUH)		14,000			14,000				14,800				18,750			18,750		
Steam (BTUH)		14,000			14,000				14,800				19,400			19,400		
KILOWATTS																		
	115	208	230	277														
2.5	2.5	—	—	—	19.6	13.3	—	—	19.6	13.3	—	—	13.3	—	—	13.3	—	—
—	3.0	3.0	—	—	—	14.4	12.6	—	—	14.4	12.6	—	14.4	12.6	—	14.4	12.6	—
—	3.3	—	—	—	—	17.3	—	—	—	17.3	—	—	17.3	—	—	17.3	—	—
—	—	4.0	4.0	—	—	—	18.8	16.4	—	—	18.8	16.4	—	18.8	16.4	—	18.8	16.4
—	4.3	—	—	—	—	—	—	—	—	22.1	—	—	22.1	—	—	22.1	—	—
—	—	5.3	5.3	—	—	—	—	—	—	—	24.4	21.5	—	24.4	21.5	—	24.4	21.5
COOLING/HEAT PUMP CHASSIS																		
W/O Auxiliary Heating	15	10	10	10	15	10	10	10	15	15	15	15	15	15	15	20	20	15
With Auxiliary Heating																		
2.5 KW to 3.0 KW	20	20	20	20	20	20	20	20	20	20	20	20	20	20	20	20	20	20
3.3 KW to 4.0 KW	—	25	25	25	—	25	25	25	—	25	25	25	25	25	25	25	25	25
4.3 KW to 5.3 KW	—	—	—	—	—	—	—	—	—	30	35	30	30	35	30	30	35	30
Steam or Hot Water	15	10	10	10	15	10	10	10	15	15	15	15	15	15	15	20	20	15

¹ 80F DB/67F WB air entering evaporator; 95F DB/75F WB air entering condenser per ARI Std. 310-70. ² 200F EWT/180F LWT at 2 GPM 70F EAT. ³ 2 PSI 70F EAT saturated steam.
* Wattage, Amperage & EER is based on compressor and condensing fan motor data. CNI reserves the right to modify specifications without prior notice in its efforts to improve product quality.
Comitale National, Inc. • 1683 B Winchester Road • Bensalem, PA 19020 • 215-244-9650 • FAX 215-244-9679 • email: sales@comitalenational.com