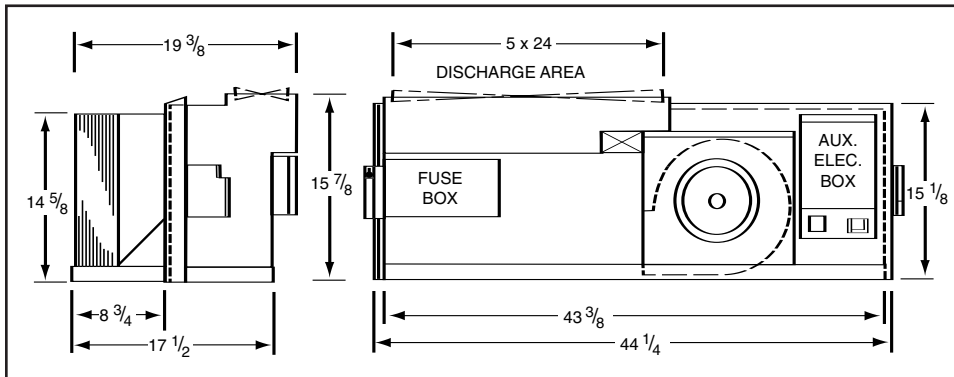


## TYPE CEARO SERIES

### Replacement Packaged Terminal Air Conditioners



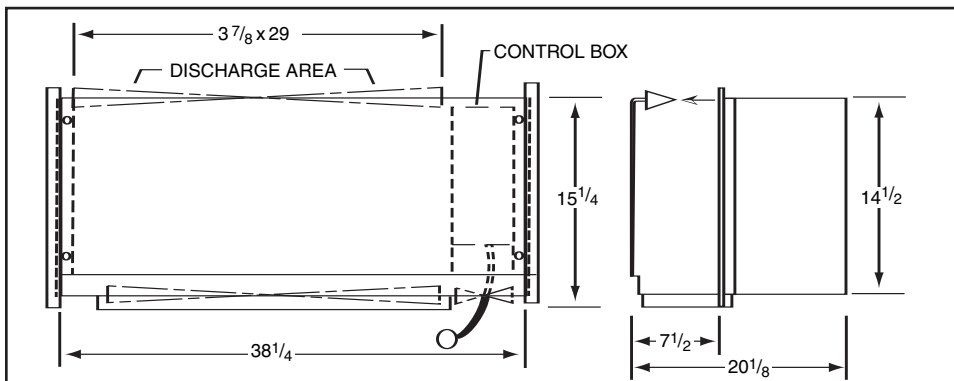
Replaces Original Singer® and McQuay® EA - A/R.H., MEA, MQA and PMES Cooling and Heatpump Chassis.

Note advise factory:  
*Extendaire or Ducted Application.*

Select NEMA cord from page 5.

## TYPE CWRBO SERIES

### Replacement Packaged Terminal Air Conditioners



Replaces Original Westinghouse® and Coastal Products® Type RB Cooling and Heatpump Chassis.

Select NEMA cord from page 5.

Call **CNI** for more details and competitive pricing!

Ask about our Quick Shipment Program.

Think **CNI** for all of your replacement HVAC parts needs.

A lower cost alternative to all season comfort conditioning.  
...More Reliability ...Less Maintenance  
...Simpler Installation ...Higher Efficiency  
...A Quieter Solution ...A Tru-Fit  
Quality and Comfort for many years to come!!