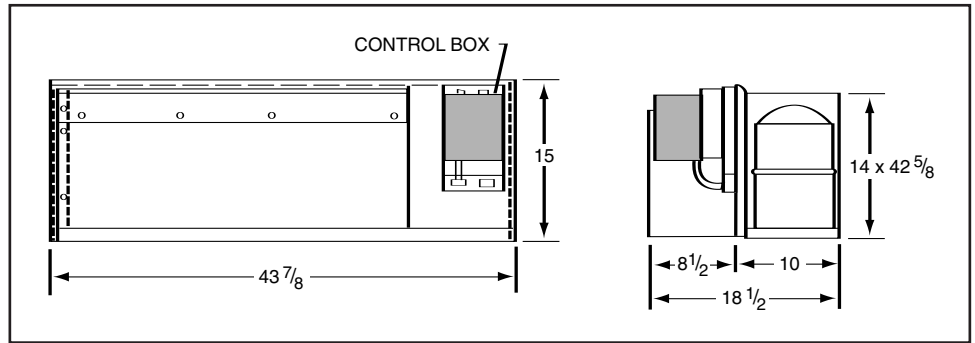


TYPE CEAFO SERIES

Replacement Packaged Terminal Air Conditioners

Replaces Original Singer® and McQuay® Type EA-F, MEA, MQA and PMES Cooling and Heatpump Chassis.

Note advise factory:
Extendaire or Ducted Application.

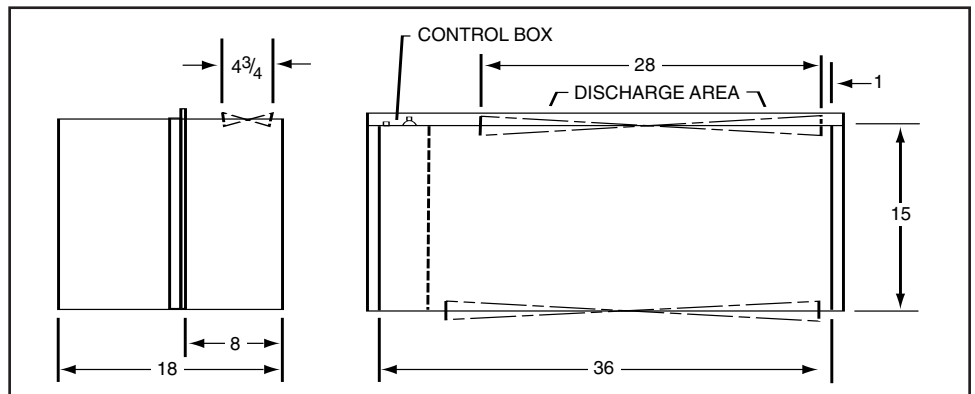


Select NEMA cord from page 5.

TYPE CSEA0/CSHA0 SERIES

Replacement Packaged Terminal Air Conditioners

Replaces Original Heil Quaker® Type SEA and SHA Cooling and Heatpump Chassis.



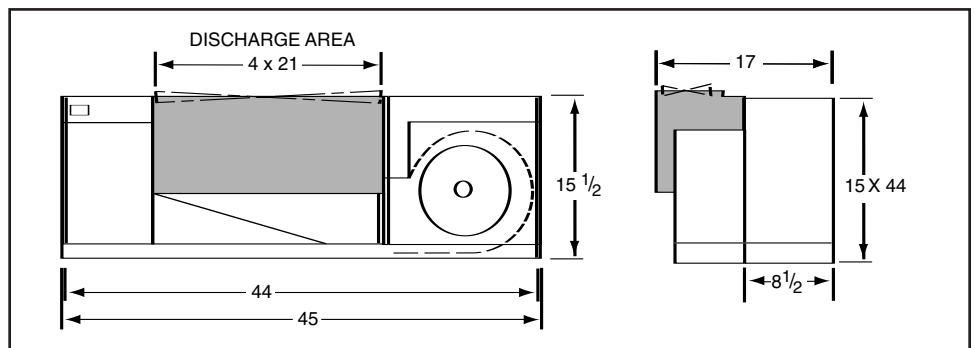
Select NEMA cord from page 5.

TYPE CEALO SERIES

Replacement Packaged Terminal Air Conditioners

Replaces Original Singer® and McQuay® Type EA-A/L.H., MEA, MQA and PMES Cooling and Heatpump Chassis.

Note advise factory:
Extendaire or Ducted Application.



Select NEMA cord from page 5.