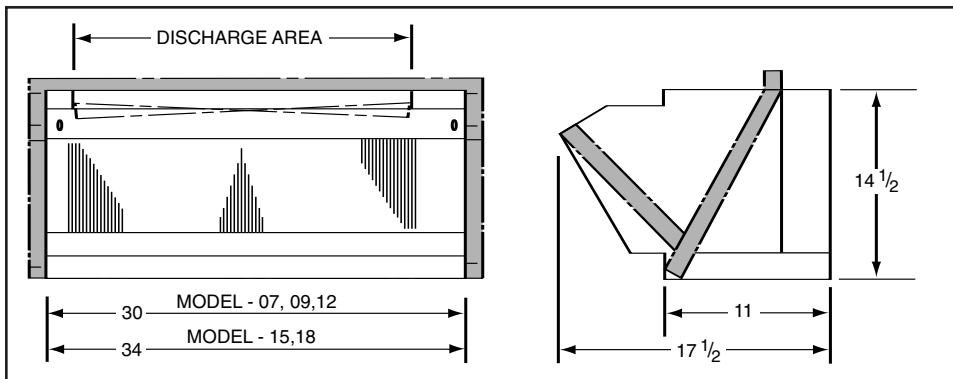


Component Style - Consisting of separate; cooling chassis, heating section, evaporative motor-board assembly and control box.

TYPE CMRO SERIES

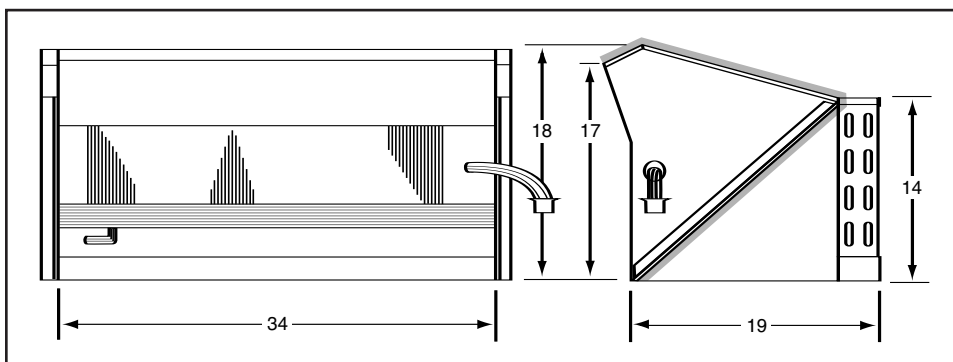
Replacement Packaged Terminal Air Conditioners



Replaces Original Nesbitt® and MSI® Modular Roommate Cooling and Heatpump Chassis.

TYPE CRPO SERIES

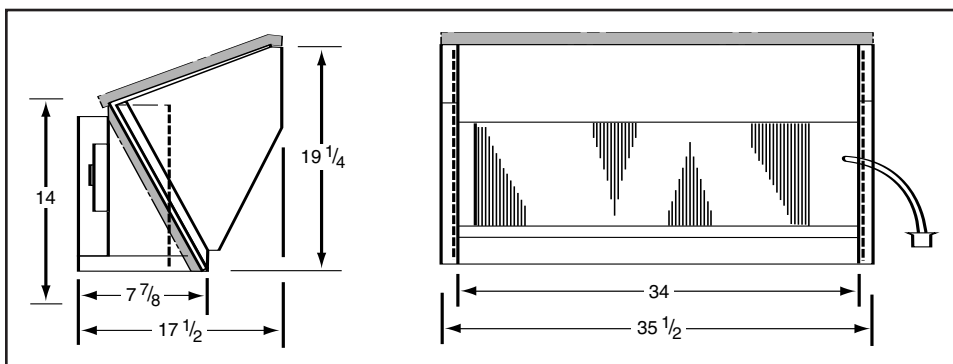
Replacement Packaged Terminal Air Conditioners



Replaces Original Nesbitt® and MSI® Roommate PKG Cooling and Heatpump Chassis.

TYPE CRKO SERIES

Replacement Packaged Terminal Air Conditioners



Replaces Original Remington®/ Singer® and McQuay® Type K, EK, RK, MEK, MHK, MQP, PKES and PKHS Cooling and Heatpump Chassis.