



COMITALE NATIONAL INC.

PC-PH SERIES 2 TON



Installation Instructions

Comitale National Inc.
1883 B Winchester Road
Bensalem, PA 19020
215-244-9650
Fax: 215-244-9679
email: cnitrufit@aol.com
www.comitalenational.com

Original Equipment Manufacturer of
Custom Packaged Terminal Air Conditioners and
National H.V.A.C. Parts Distributor

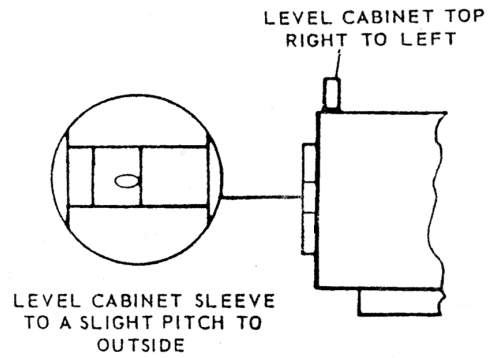
Sub-Base Installation

When the optional sub-base is used, the side extension pieces (if used) must be installed prior to the room cabinet. See Figure 6 (on back) for details.

The three piece sub-base is adjustable and telescopes from 16-1/8" to 8-3/16" in depth (secured to wall) for various projections into the room. However, if extension is secured to floor it will only telescope to washer as shown in Figure 6. When cabinet sleeve projection is less than 8" discard extensions and cut sides of front plate to length.

The sub-base front plate may be removed (for whatever reason) by taking the four screws out of the top of the sub-base front plate with a short or offset screw driver. However, it is suggested that Figure 6 assembly be followed.

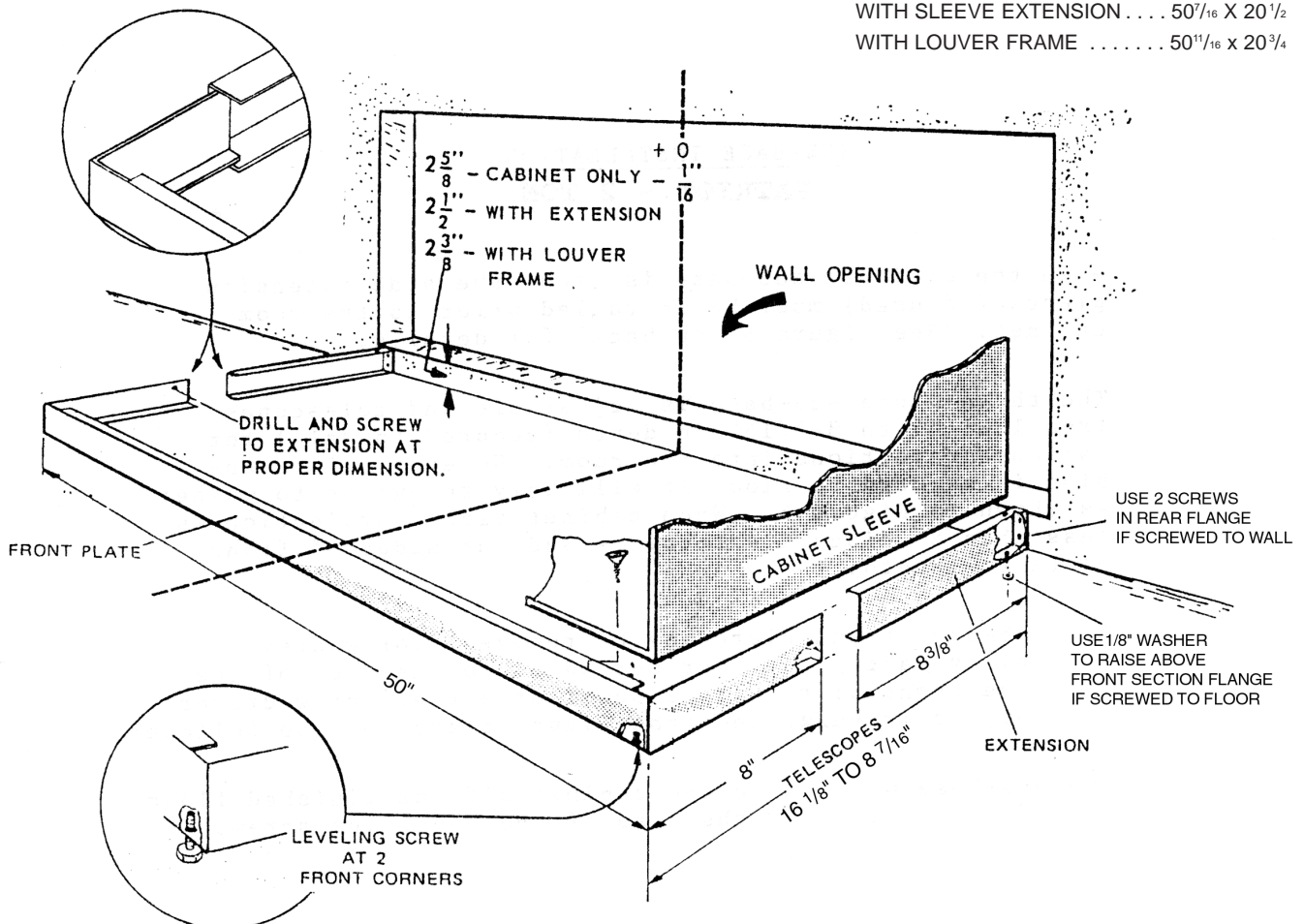
The sub-base will raise the cabinet off the finished floor 2-1/2" plus 1/16" for the head of the leveling screw.



1. Locate side extension pieces using front plate as locator. Make sure assy' is in center of wall opening.
2. Secure extension pieces to floor or wall.
3. Remove sub-base front plate and attach to underside of cabinet as shown.
4. Complete Pre-piping and/or electrical work in sub-base area.
5. Follow additional instructions for wall sleeve.
6. Screws and washers for wall or floor if used, are field provided by contractor.

WALL OPENING

CABINET ONLY	50 ³ / ₄ X 20 ¹ / ₄
WITH SLEEVE EXTENSION	50 ⁷ / ₁₆ X 20 ¹ / ₂
WITH LOUVER FRAME	50 ¹¹ / ₁₆ X 20 ³ / ₄





Room Cabinet Wall Sleeve Installation

A. Panel and Thin Wall Applications

The room cabinet wall sleeve can be installed in various ways. Curtain walls lack sufficient cross-section to securely support the unit. The optional sub-base or similar floor support can be field fabricated to support the unit. See Table I for wall opening guide size. This instruction is based on the use of a sub-base which is optional.

1. Remove cabinet from shipping carton. Check for shipping damage and report to trucker. Check cabinet for square and re-square as necessary.
2. Remove sub-base from shipping carton and install as described in sub-base instructions.
3. If louver frame is used, install as shown in frame instructions or per plans and specs.
4. Position cabinet into wall opening. Normally, outside edge of louver would be flush with outside of wall or louver frame when used. Cabinet may be installed to project outside of wall up to a maximum of 4-7/8". **See Step 6, as it may be necessary to pre-drill cabinet holes on right hand side.** Check for proper electrical and/or piping penetration of sleeve.
5. Level cabinet/wall sleeve and sub-base with leveling bolts provided in sub-base. Check each side to level cabinet left to right, and front to back, using top of cabinet. NEVER PITCH TO INSIDE - slight pitch to outside.
6. Secure cabinet to wall by drilling two holes in each side of cabinet (2" from top and bottom) and anchor with lag bolts or fasteners. (See Figure 3). Check final plans and specifications as curtain walls may require a case flange (by others) on inside wall or an alternate method to secure cabinet to wall.
7. Caulk exterior joint on all four sides between cabinet and panel wall (See Figure 3). Do NOT permit caulking to block weep holes at bottom rear of cabinet.

B. Masonry and Thick Wall Applications

The cabinet may be installed in a masonry wall or in brick veneer walls. The size of wall opening will be dependent on use of optional wall sleeve extension.

Check final plans and specifications for size which may vary with type of construction.

1. The wall sleeve cabinet may be floor-mounted with or without sub-base, or wall-mounted above the floor. Consideration for electrical and hot water/steam heating must be given in each type of mounting. A lintel must be used to support any brick or masonry work above the cabinet.
2. Remove cabinet from shipping carton.
3. Thick walls may require wall sleeve extension. See extension assembly instructions.
4. Sub-base, when used install as described in sub-base instructions.
5. Set room cabinet/wall sleeve assembly on soft mortar and position in wall opening (all-masonry walls). Normally, outside edge of louver would be flush with outside of wall or louver frame when used. Center of gravity of the conditioner is 9" from rear face of cabinet. For wall mounted units, center of gravity must be within the load bearing portion of the wall.
6. Level room cabinet/wall sleeve assembly. When sub-base is used, leveling bolts are provided in sub-base. Check each side to level cabinet left to right and front to back or a slight pitch to the outside. Use top of cabinet for leveling. Securely fasten room cabinet in wall by drilling two holes in each side of cabinet and anchor with lag bolts or fasteners (See Figure 3). NEVER pitch to inside.
7. Mortar and caulk as required between cabinet and wall opening on side, top and bottom. Do not permit caulking to block weep holes. Re-caulk seam between cabinet and extension as required.

EXISTING BUILDINGS - For existing masonry construction wall openings must be made. A lintel should be used to support masonry above cabinet. The cabinet must be anchored to the wall, shims and fiberglass to stuff wall cavities - top and both sides- should be considered. The bottom of the opening must be covered with a layer of mortar and adhesive to form a water and air tight seal. Generally, follow instructions for masonry and thick wall applications. NOTE: All figures that apply to existing building.

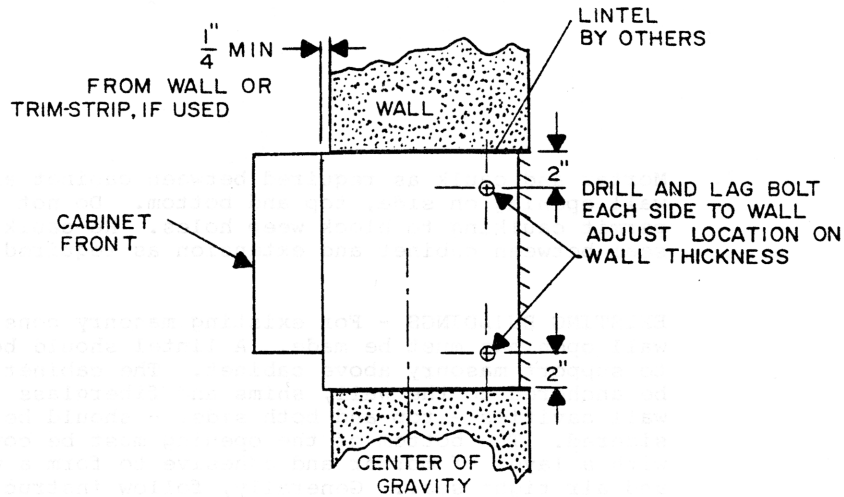
TABLE I - Wall Opening Guide

Cabinet only	50-1/4 x 20-1/4
With sleeve extension	50-7/16 x 20-1/2

Hot Water or Steam Heat

Units which are ordered with steam or hot water coils - field installation of coil, valves, and piping are made within cabinet as shown in Piping Instructions. Rough in of piping must be made before the cabinet sleeve is installed or per plans and specifications. Piping is on right side.

NOTE - Make sure all internal cabinet seals are in place and sealed to cabinet surface on completion of cabinet installation.



CENTER OF GRAVITY MUST BE IN WALL WHEN USED WITH OUT SUB-BASE.

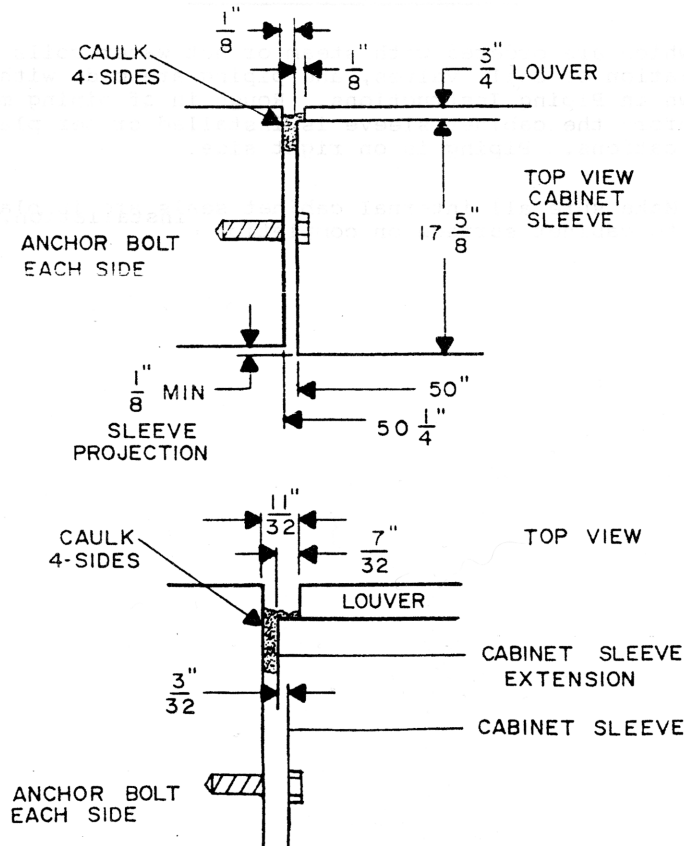
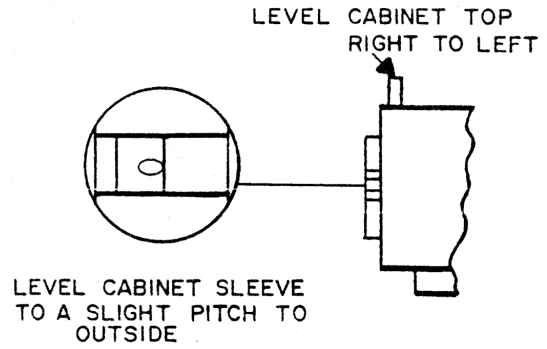
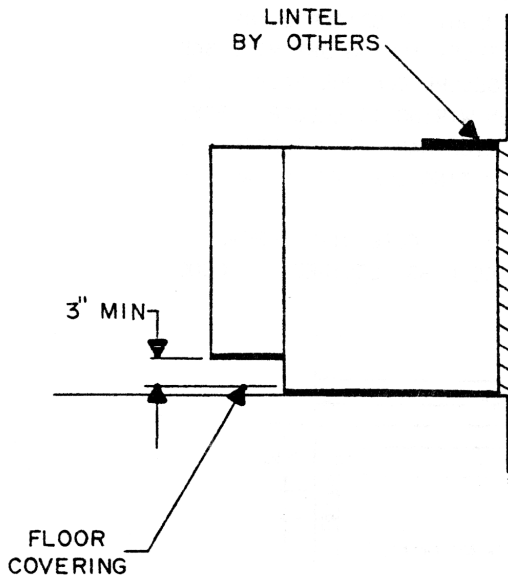
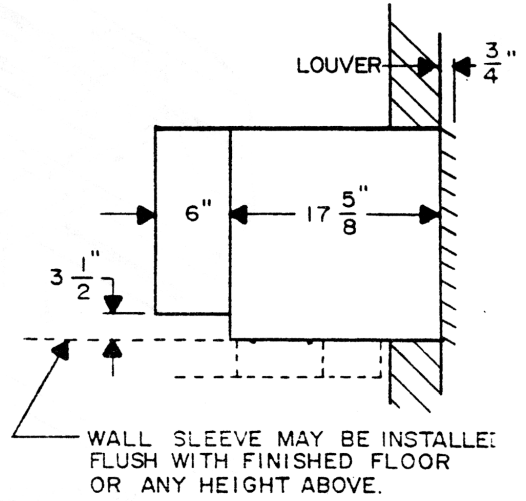
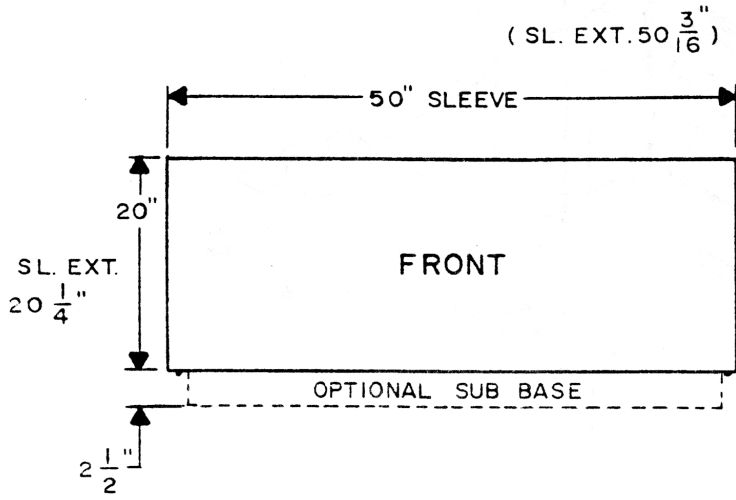


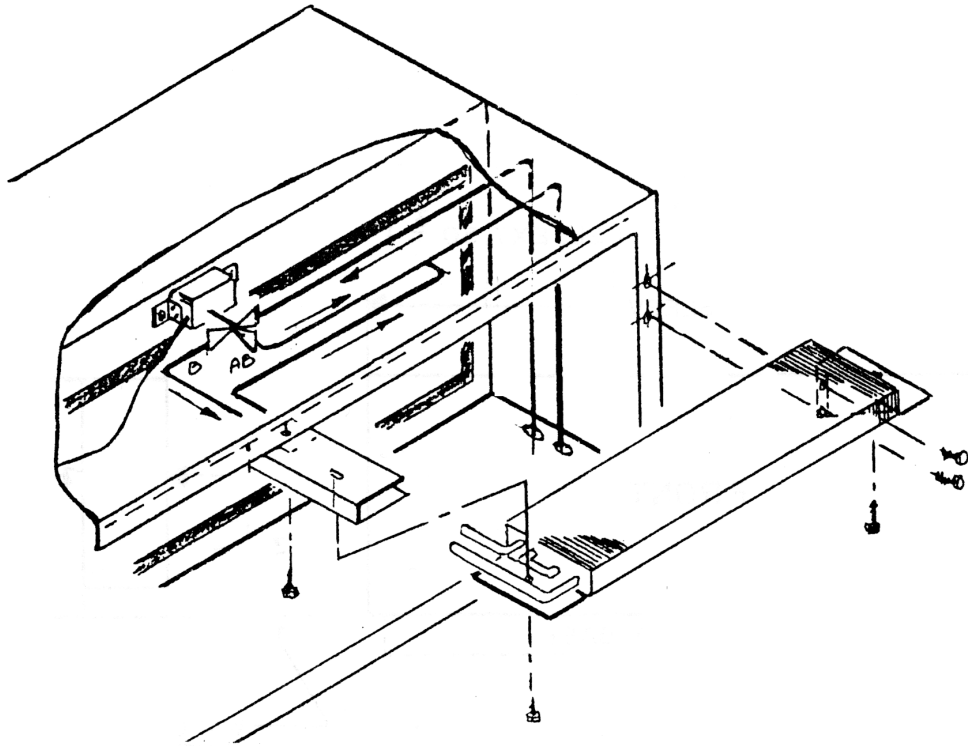
Figure 3



Floor Mounted Unit

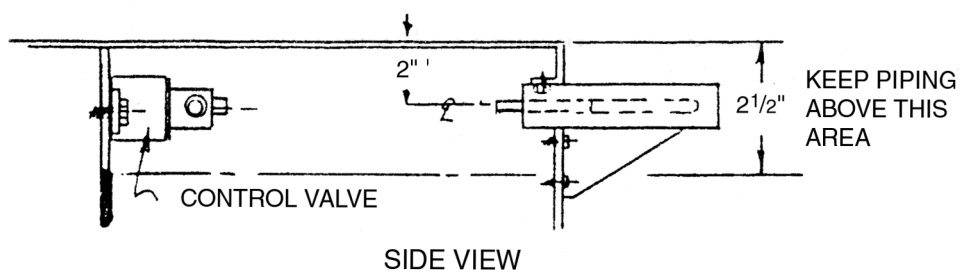
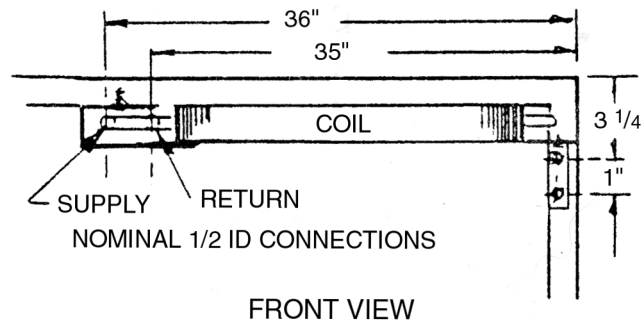


Nominal Size 22 Hydronic



NOTE

1. 3 way control valve shown.
2. Control valve, CCIL, and mounting brackets are secured with No. 10-1/2 self-tapping sheet metal screws.
3. Locate drill holes and secure control valve to wall sleeve cross-member. Run wiring to electric box.
4. Drill holes and secure righthand coil support bracket.
5. Secure lefthand coil mounting bracket to wall sleeve. Use existing hole.
6. Slide coil in position and secure with screws provided.
7. Pipe control valve and coil as required, use good piping practices.





Comitale National, Inc.

1683 B Winchester Road • Bensalem, PA 19020

215-244-9650 • FAX 215-244-9679

email: cnitrufit@aol.com

www.comitalenational.com